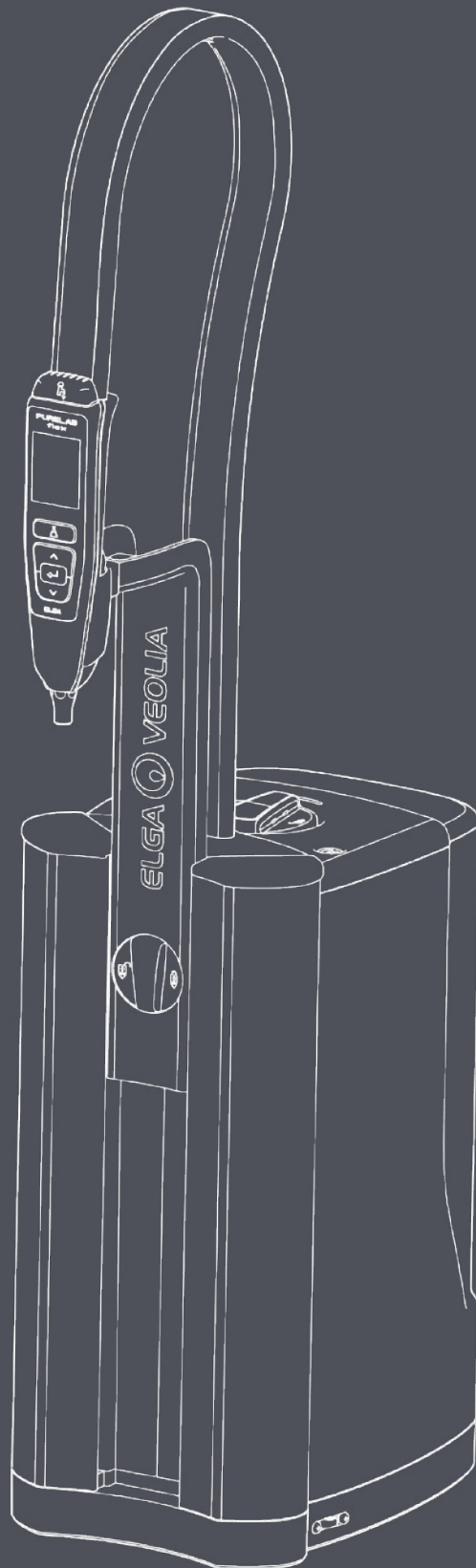


PURELAB FLEX OPERATOR MANUAL



MANU41742

Version 1

Copyright Note

The information contained in this document is the property of VWS (UK) Ltd, trading as ELGA LabWater, and is supplied without liability for errors or omissions.

No part of this document may be reproduced or used except as authorised by contract or other written permission from VWS (UK) Ltd. The copyright and all restrictions on reproduction and use apply to all media in which this information may be placed.

VWS (UK) Ltd. pursue a policy of continual product improvement and reserve the right to alter without notice the specification, design, price or conditions of supply of any product or service.

© VWS (UK) Ltd. 2024 - All rights reserved.

Publication ref: MANU41742

Version 1 - 02/24

ELGA® is the global laboratory water brand name of Veolia Water.
ELGA® and **PURELAB®** are registered trademarks

Table of Contents

1. INTRODUCTION	5
1.1 Health & Safety	5
1.2 Product Range	5
1.3 Use of this Manual	5
1.4 Environment	5
1.5 Commissioning	5
1.6 Volumetric Accuracy	5
1.7 Profile Dispense Accuracy	5
1.8 ECO Mode	5
2. YOUR GUIDE TO PURELAB FLEX 3	6
3. YOUR GUIDE TO PURELAB FLEX 3+	7
4. HEALTH AND SAFETY NOTES	8
4.1 Environment	8
4.2 Display Handset	8
4.3 Electricity	8
4.4 Ultraviolet Light	8
5. INSTALLATION INSTRUCTIONS	9
6. HOW TO USE YOUR FLEX 3 & 3+	10
7. SELF HELP GUIDELINES	13
8. CONSUMABLES	14
9. OPERATION	15
10. HOW TO REGISTER YOUR PURELAB FLEX	15
11. PURIFIED WATER OUTLET CONNECTION	16
12. MAINTENANCE	18
12.1 Replace Ultraviolet Lamp (LC210)	18
12.2 Cleaning the Inlet Filter Assembly	19
12.3 Replacing the Reverse Osmosis Module (LC309)	20
12.4 Replacing the Composite Vent and Point-of-Use Filters	20
13. TECHNICAL SPECIFICATIONS	21
13.1 Feedwater	21
13.2 Contaminant	21
13.3 Feedwater Pressure	21
13.4 Connections	21
13.5 Dimensions and Weights	22
13.6 Electrical Requirements	22
13.7 Product Water Specification	22
14. WARRANTY/CONDITIONS OF SALE	23
14.1 General Limited Warranty	23
14.2 Water System Limited Warranty	23
15. USEFUL CONTACT INFORMATION	25

1.1 Health & Safety

Please ensure you read the Health & Safety notes in **Section 4**.

1.2 Product Range

This Operators Manual has been prepared for PURELAB® flex product models:

- PURELAB flex 3 (Ultra Pure Water (Type I) Directly from tap water)
- PURELAB flex 3+ (Ultra Pure Water (Type I) directly from tap water)

1.3 Use of this Manual

This manual guides you through the basic operation and maintenance of the **PURELAB Flex** allowing you to obtain a guaranteed supply of purified water to meet your requirements.

1.4 Environment

The **PURELAB Flex** unit should be installed on a flat, level surface, in a clean, dry environment. The unit can also be wall mounted using the purpose designed wall mounting kit against a vertical wall capable of supporting the combined weight of the unit and mounting kit.

1.5 Commissioning

PURELAB Flex is supplied in a preset commissioning mode which has to be completed before purified water can be dispensed.

1.6 Volumetric Accuracy

The **PURELAB Flex** accuracy is +/- 10ml or 3% (whichever is greater).

If a point of use filter is attached (LC145 and LC197) the system shall be calibrated every 10L of dispense water or every 7 days. If the point of use filter is replaced, a calibration must be performed to ensure accuracy.

1.7 Profile Dispense Accuracy

The **PURELAB Flex** profile dispense accuracy is +/- 10ml or 3% (whichever is greater).

If a point of use filter is attached (LC145 and LC197) the system will need to be re-profiled every 10L of dispense water or every 7 days. If the point of use filter is replaced, a re-profiling must be performed to ensure accuracy.

If repeated dispensing is required, the accuracy will drift dependent on the number of dispenses completed. It is recommended that after every 10 dispenses, a minimum of 5 mins is given for the unit to cool to maintain accuracy.

1.8 ECO Mode

The **PURELAB Flex** comes configured with ECO mode enabled as default, while this mode is enabled, the unit will go into ECO mode between the time set 18:00 and 09:00, allowing the unit to minimise the power and water consumption while maintaining system performance.

To disable ECO mode set the ECO mode timers to 00:00 and 00:00, this will set unit into continued operation disabling the power saving function of the system.

2. YOUR GUIDE TO PURELAB® FLEX 3



3. YOUR GUIDE TO PURELAB® FLEX 3+





WARNING! WARNINGS ARE GIVEN WHERE FAILING TO OBSERVE THE INSTRUCTIONS COULD RESULT IN INJURY OR FATALITY!



CAUTION! Cautions are given where failure to observe the instructions could result in damage to the equipment, associated equipment and processes.



WARNING! THINK BEFORE LIFTING! CONSIDER CORRECT LIFTING TECHNIQUES TO AVOID INJURY!

4.1 Environment

The system should be installed on a flat, level surface, in a clean, dry environment.

The system is designed to operate safely under the following conditions:

- Indoor use
- Attitude up to 2000m
- Temperature Range 5°C - 40°C
- Storage Conditions 2°C - 50°C
- Maximum Relative Humidity 80% @ 31°C decreasing linearly to 50% @ 40°C non-condensing
- The system is in installation Category II, Pollution Degree 2, as per EN 61010.
- Noise Levels - dBa - <45

4.2 Display Handset



CAUTION! The display handset is not designed to be submerged in water. The Flex is not designed for use in fume cupboards where chemicals could damage the system.

4.3 Electricity

The appliance coupler (mains lead) or power supply connected to the rear of the unit can be removed to isolate the power supply. If access to this is restricted then it is recommended that access to the supply socket is easily available to disconnect the electrical supply.



WARNING! ONLY USE THE APPLIANCE COUPLER (MAINS LEAD) AND POWER SUPPLY PROVIDED. THE USE OF THESE WILL ENSURE ADEQUATE EARTH PROTECTION IS PROVIDED.
IF THE EQUIPMENT IS USED IN A MANNER NOT SPECIFIED BY ELGA, THE PROTECTION PROVIDED BY THE EQUIPMENT MAY BE IMPAIRED. POSITION THE POWER SUPPLY SO THAT IT CANNOT COME INTO CONTACT WITH WATER.

4.4 Ultraviolet Light



WARNING! UNDER NO CIRCUMSTANCES SHOULD THE UV LAMP BE CONNECTED AND ACTIVATED WHEN OUTSIDE THE HOUSING. EXPOSING COULD CAUSE SERIOUS INJURY TO EYES AND SKIN. ENSURE THE UV LAMP IS DISPOSED OF IN ACCORDANCE WITH LOCAL REGULATIONS.



WARNING! ENSURE THE UV LAMP IS DISPOSED OF IN ACCORDANCE WITH LOCAL REGULATIONS.

5. INSTALLATION INSTRUCTIONS

STEP 1



Slot handset into the cradle as shown above

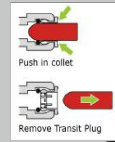


Fig 1

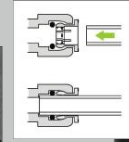


Fig 2



Fig 3



Fig 4

Connect the water - refer to Section 13, page 20 “**Technical Specifications**” for Feedwater Specifications

- Remove all transit plug from the the rear of the unit (Fig 1)
- Using the tube supplied, firmly push one end securely into the water connector (Fig 2)
- Using the tube supplied, firmly push one end securely into the overflow (Fig 3) and drain (Fig 4) connector
- Connect the other end of the drain and overflow tubes to a sink or suitable drain capable of handling at least 1.5 l/min. The drain point should have a gravity fall below the level of the unit and any connections direct to drain should have an air-break device fitted.
- Turn on the water supply. Minimum Pressure 2.0bar – 30psi, Optimum Running Pressure 4.0bar – 60 psi, Maximum Pressure 6.0bar – 90psi.

STEP 2

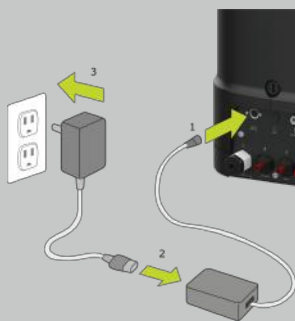


Fig 3

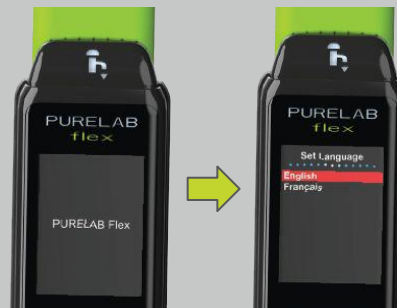


Fig 4



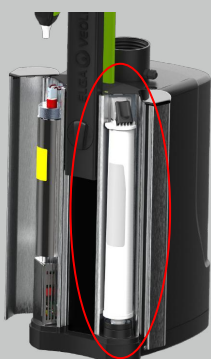
Fig 5



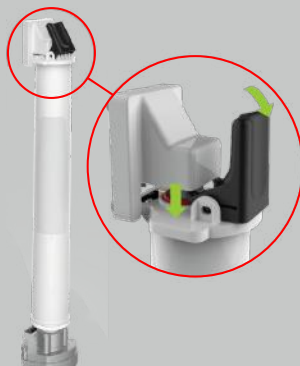
Fig 6

- Connect the power cable as shown (fig 3)
- Only use the power supply supplied with the PURELAB Flex. The power supply must be earthed.
- Turn on the power supply, the screen will display the “Set Language” screen (fig 4)
- Scroll to your preferred language (fig 5) and accept (fig 6)
- The display will prompt a message saying “Fit Composite Vent Filter and Purification Pack”. Then press the Accept Button. Write the date clearly on the label and hand tighten clockwise.

STEP 3



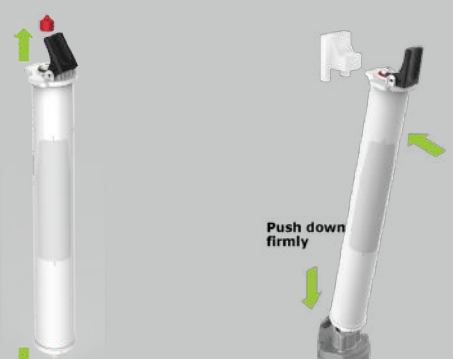
a) Open right-hand door



b) Remove Bypass Pack

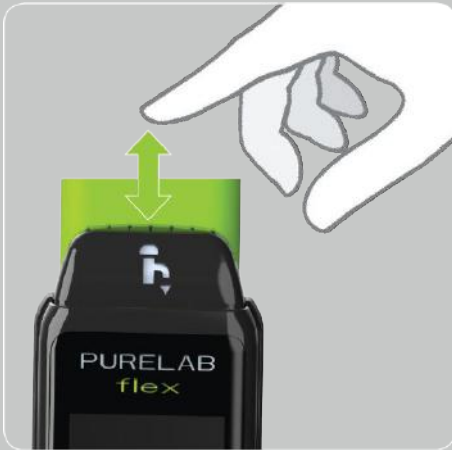


c) Remove Transit caps



d) Fit Purification Pack

6. HOW TO USE YOUR FLEX 3 & 3+



MANUAL DISPENSE:

PRESS and hold dispense button.



CONTINUOUS DISPENSE:

PRESS and hold dispense button and accept button.



To stop continuous dispense, PRESS dispense button.

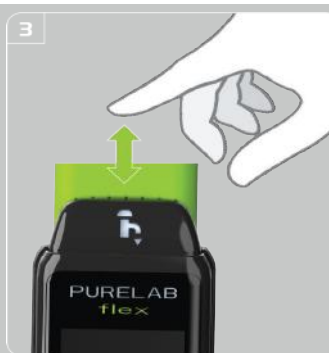


AUTO VOLUME:

PRESS the "Auto Volume" button.



CHOOSE the desired volume using the arrow buttons.



PRESS the dispense button to dispense the pre-set volume.



PRESS the "Auto Volume" button to return to the main screen.

HOW TO USE YOUR FLEX 3 & 3+



ACCESS MENU:

ENSURE "Auto Volume" is OFF



PRESS and hold accept button for 2 seconds



DATA CAPTURE:

ENSURE "Auto Volume" is OFF



FOLLOW on screen instructions. Make sure USB is formatted to FAT32

Profile Dispense

Step 1 - Profile Dispense Initialisation

- ACCESS "Main Menu" by pressing and holding the "accept" button for approximately 2 seconds
- SCROLL using the "down" button and highlight "Set Volumetric Dispense mode", press "Accept"
- Highlight "Profile Dispense", press "Accept"
- EXIT menu

Step 2 - Profile Dispense Calibration (Unit must be commissioned before Profile Dispense calibrations)

- PRESS "Auto Volume Dispense" button
- SELECT "Volume 1/2/3" (depending on available unused profiles)

WARNING OVER-WRITING A VOLUMETRIC PROFILE WILL DELETE ITS ORIGINAL PROFILE. THIS CANNOT BE RECOVERED

- PLACE a suitable container such as a 500 ML measuring container underneath the Flex
- DISPENSE the required amount of water from the Flex handset using the "Dispense" (PF1) button.

Note: The precise action/operation will be recorded to the Flex/Chorus memory.

- ONCE finished, press the "Accept" button to terminate the recording for "Volume 1/2/3"

Note: The system will now go back to the "Profile Dispense" Sub Menu. Repeat previous steps to record other volume profiles if required. If you wish to change the recorded Volumes 1 to 3 press the "Auto Volume" button on the handset, select the Volume you wish to change, press and hold down the "Accept" button for about 5 seconds. Then repeat step 2.

Step 3 - Usage of Profile Dispense

- SELECT desired Volume from "Profile Dispense Menu" and press the "accept" button to go to the Dispense Screen
- PRESS the "Dispense" button. The recorded volume will dispense

Step 4 - Exit "Profile Dispense"

- PRESS the "Auto-Volume" to return to normal operation

Step 5 - Return to Volumetric Dispense Mode

- ACCESS "Main Menu" by pressing and holding the "accept" button for approximately 2 seconds
- SCROLL using the "down" button and highlight "Set Volumetric Dispense mode", press "Accept"
- Highlight "Volumetric Dispense", press "Accept"
- EXIT menu

7. SELF HELP GUIDELINES

This section covers some of the issues that could occur with your **PURELAB Flex**, and provides the troubleshooting steps to help you to resolve an issue yourself. When troubleshooting doesn't resolve your issue, please call your local ELGA LabWater representative (See "Useful Contact Details" Section 15, page 24)



WARNING! ALWAYS ENSURE THAT THE ELECTRICAL POWER SUPPLY IS ISOLATED BEFORE WORKING INSIDE THE **PURELAB FLEX**.

CONDITION	RECOMMENDED ACTION
Nothing showing on handset display.	Press any button to wake the unit from Eco mode. Check electrical supply and lead. Check that the electrical power is switched on. Check the fuse in the electrical power and PCB and replace if blown.
Unable to enter main menu	Press Auto Volume Dispense button to exit Auto Volume dispensing.
Purification Pack change reminder	Reset Purification Pack change reminder. Replace Purification Pack – See Page 9, section 5.
Short Purification Pack Life	Ensure water usage is >10 L/day. Inlet feed water is out of specification. Check replacement date.
Sanitization reminder	Reset Sanitization reminder. Accept Sanitization and follow the instructions on the Display Handset.
UV change reminder	Reset UV change reminder. Replace the UV lamp.
High Temperature Water Alarm	Check correct alarm point is set. Check feed water temperature has not risen suddenly. Dispense some water to allow cold water to be drawn into the system.
Reduced Dispense Water flow rate	Check inlet water strainer is not blocked. Check with bypass cartridge to ensure the DI is not getting blocked. Replace POU filter if fitted. Contact Technical Support
Dispense Water Purity Alarm	Check correct alarm point is set. Change Purification Pack.

CONSUMABLES			
Part No.	Description	Typical Service Life*	Max. Shelf Life
LC214	Purification Pack	6 months	2 years
LC209***	Sanitization Pack(with tablet)	Not Applicable	2 years
LC209-M2***	Sanitization Pack(without tablet)**	Not Applicable	2 years
LC209-US***	Sanitisation Pack(liquid)	Not Applicable	2 years
LC210	185/254nm UV Lamp	12-18 months	2 years
LC134	0.2µm Microfilter - Point-of-Use	90 Days	2 years
LC197	Biofilter – Point-of-Use	90 Days	2 years
LC216	Composite Vent Filter	1 Year	2 years
LC309	Reverse Osmosis Module	Typical life 2-3 years	2 years

8. CONSUMABLES

*Service Life is an estimate only, and will depend on the application and feed water quality. Please take care to ensure you order the correct consumable items.

** Tablet to be bought separately - please contact your service rep

*** Only one version of sanitisation pack will be required for sanitisation process to be completed

ACCESSORIES	
Part No.	Description
LA736	BMS Kit
LA732	Foot Switch
LA734	Leak Detector
LA735	Wall Mounting Kit
LA512 (0-160psi) LA652 (0-60psi)	Pressure Regulator
LA728	Bypass Pack
LA822	Hubgrade

9. OPERATION

PURELAB Flex 3 & 3+ provides high purity water typically where daily usage does not exceed 10 liters/day.

To provide the ultimate purity, water is re-circulated through a range of treatment technologies and stored in an internal reservoir. The reservoir is filled automatically from either a potable water or pre-treated supply. Please refer to Section 13, pages 20 - 21 “Technical Specifications” for details.

During periods of non-use the unit will automatically operate in intermittent (10 minutes every 2 hours) recirculation mode to maintain water purity with maximum efficiency (if eco mode is not enabled).

Refilling of the reservoir is determined by usage and achieved in the following ways;

1. **AUTOMATIC REFILL.** When the water level in the reservoir reaches 2 liters if eco mode is enabled, or 6 litres if eco mode is disabled, the PURELAB flex will begin to refill. An option in main menu allows ‘Refill set point’ to be adjusted. Follow instructions on the Dispense handset.
2. **INITIATING A RESERVOIR REFILL.** Press auto volume button for 2 seconds to initiate Reservoir Refill
3. **MANUAL REFILL.** Water added directly into the reservoir by removing the Composite Vent Filter.
4. **TIMED AUTO REFILL.** The timed auto refill allows the user to set a time at which the system will automatically enter a refill cycle. With Auto Refill set to 16:00 the unit will enter refill cycle at 4pm everyday.

Page 9 (the “Installation Instructions” section) shows you how to perform day to day functions in order to get the most from your PURELAB flex without having to refer to this Operators Manual.

10. HOW TO REGISTER YOUR PURELAB FLEX

Taking the time now to register your Flex will mean that we can provide a better service to you in the future. We can contact you about product information and service updates.

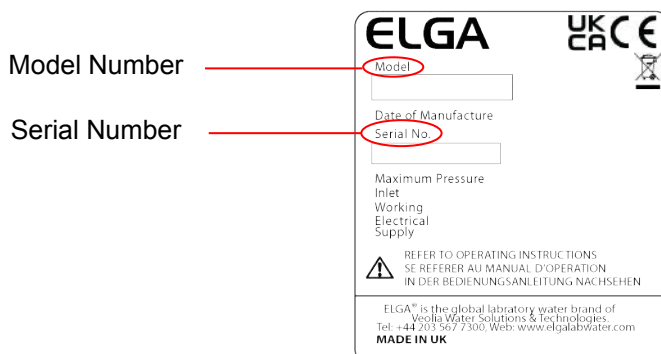
Why Register your product?

- Validated your product warranty
- Proof of product registration
- Receive software and service updates

How can I quickly register?

The model number and serial number can be found on the ratings plate located on the back of the unit, see below image;

Enter the model and serial number into the online form at:
<https://www.elgalabwater.com/support/register-a-product>



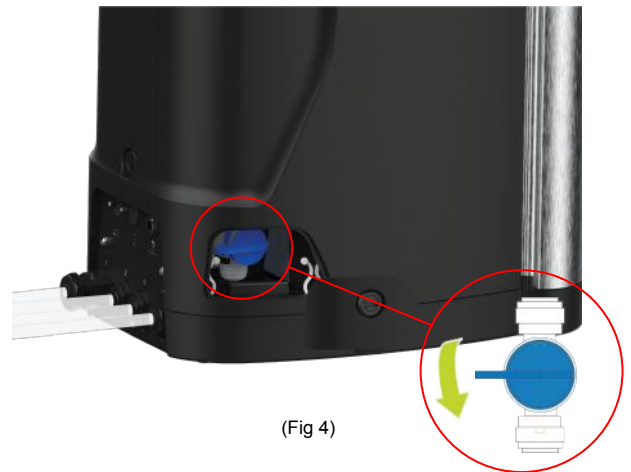
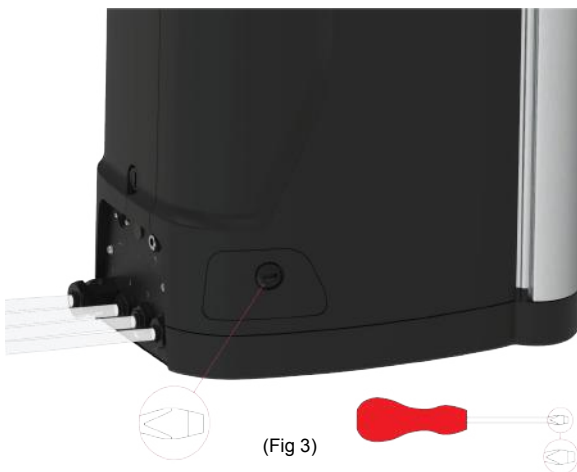
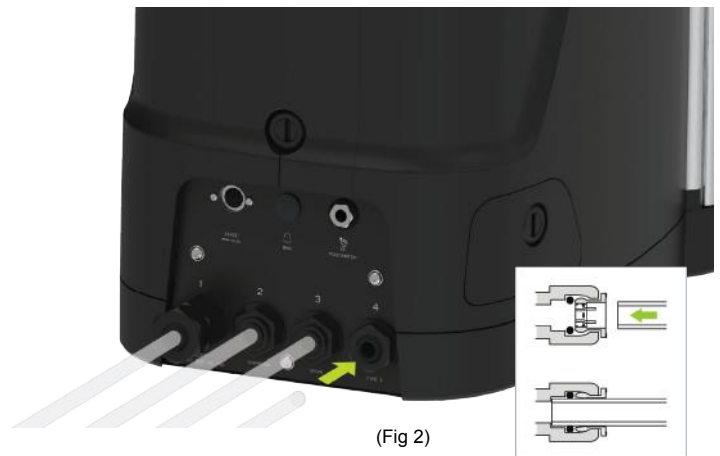
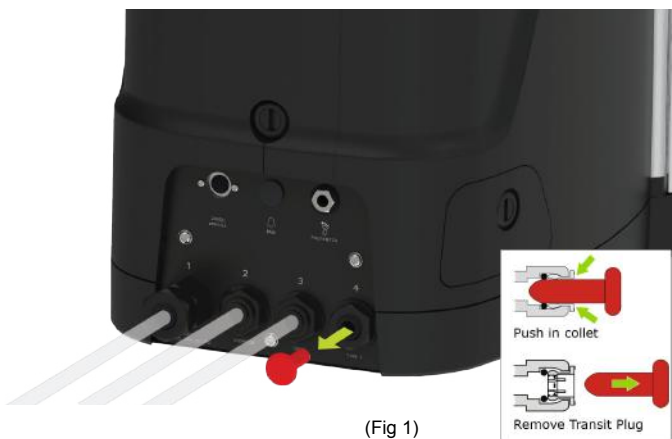
11. PURIFIED WATER OUTLET CONNECTION (Type II) FOR FLEX 3 AND 3+

An additional outlet connection is located at the rear of PURELAB flex for applications that may require a direct feed.



CAUTION! Maximum usage should not exceed 10L/day.
 Maximum take off flow rate 1.8L/min with positive head.
 Water purity may vary depending on usage. Check water purity is suitable for application.

Please follow the instructions below for correct connection.



- a) Remove the transit plug from Port 4: Type 2 water connection. (Fig.1)
- b) Connect the Pure Water Connection (Fig 2)
- c) Remove the Side Access Cover (Turn screw 90 clockwise or anti-clockwise). (Fig 3)
- d) Open isolating valve (turn 90 clockwise or anti-clockwise). (Fig 4)

DEDICATED PURIFIED WATER OUTLET FOR ANALYSER FEEDS FOR FLEX 3+ ONLY

Note: Suitable pipework to allow connection of analysers to PURELAB 3+ units are available from analyser manufacturers and consumable suppliers. If a kit is not readily available please call your local ELGA LabWater representative. (See section 15, page 24 “Useful contact details”)



CAUTION! If only one connection of the Flex is used, the second should be plugged (using an M6 connector or silicone plug), to avoid water contamination caused by ingress or untreated air into the reservoir

Step 1 - Removing the M6 connector or silicone plug

- UNDO the left or right gland cap.
- REMOVE the M6 connector or silicone plug.

Step 2 - Remove the LC216 Composite Vent Filter

- Remove the Composite Vent Filter.

Step 3 - Inserting the analyser tube

- INSERT the analyser tube into the left or right hand side gland.
- MAKE sure the analyser tube goes to the bottom of the CVF chamber.
- TIGHTEN the gland around the analyser tube once positioned.

Step 4 - Replace the LC216 Composite Vent Filter

- Replace the Composite Vent Filter.

This dedicated purified water outlet for analyser feed is now complete.

12. MAINTENANCE

An approved supplier or distributor should carry out any maintenance work not included in this manual.

Note: Disposal of all end-of-life consumable items should be in accordance with local statutory regulations.

12.1 Replacing Ultraviolet lamp (LC210)

The Ultraviolet (UV) lamp should be replaced when;

- UV lamp failure occurs.
- UV lamp efficiency decreases affecting water purity.

If either occurs you'll be prompted to change the UV Lamp.



WARNING! UV-C RADIATION IS HARMFUL TO THE EYES AND SKIN. UV LAMP SHOULD ONLY BE OPERATED IN THE CHAMBER.



IT IS STRONGLY RECOMMENDED THAT DURING THE HANDLING OF THE UV LAMP CUT-RESISTANT GLOVES ARE WORN.



WARNING! MERCURY HAZARD, DO NOT BREAK. THE UV LAMP CONTAINS A SMALL AMOUNT OF MERCURY. MAY CAUSE REDNESS OR IRRITATION AS A RESULT OF CONTACT WITH SKIN AND/OR EYES.

Step 1 – Switch Unit Off

- ISOLATE the electrical supply where the **PURELAB Flex** power cable is connected. to the mains electrical supply.
- TURN OFF the water supply.
- OPEN the left hand access door.

Step 2 – Remove UV Lamp from PURELAB Flex.

- DISCONNECT the lamp connector fitted to the top of the UV lamp.
- LOOSEN the 2 securing screws at the top of the UV housing.
- LIFT and REMOVE the UV lamp from the UV housing.
- RECYCLE the used UV lamp in accordance with local regulations. Product contains Mercury

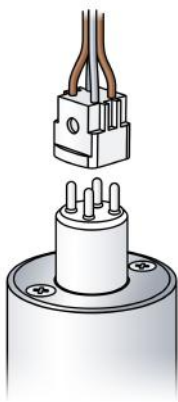


Fig 1

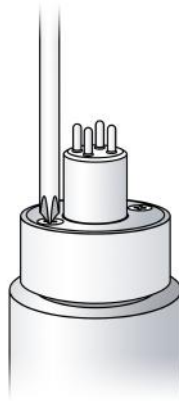


Fig 2

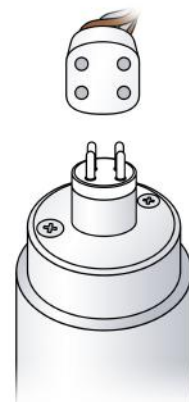


Fig 3

Removing the UV Lamp

Replacing the UV Lamp

Step 3 - Replace the UV Lamp

- UNPACK new UV lamp, wipe the glass of the UV with an alcohol wipe.



CAUTION! Take care not to touch the surface of the glass. Ideally wear gloves, handle with soft cloth and wipe the surface with alcohol before fitting into the housing

- SLIDE the new UV lamp into the UV housing.
- CONNECT the lamp connector to the end of the UV making sure the connector is correctly aligned with the pins. (refer to Fig 3 on the previous page)
- TIGHTEN the 2 securing screws at the top of the UV housing.
- CLOSE the left hand access door.

Step 4 – Turn Unit On

- TURN ON the water supply.
- SWITCH ON the mains electrical supply.

12.2 Cleaning the Inlet Filter Assembly

The **PURELAB Flex** is fitted with an inlet filter to protect it from particles in the feed water supply which could affect performance. It's recommended that you periodically clean the inlet filter to ensure that it doesn't become blocked.

Step 1 –Isolate the Electrical Supply

- ISOLATE the electrical supply where the **PURELAB Flex** power cable is connected to the mains electrical supply.
- TURN OFF the water supply.
- LOCATE the inlet filter assembly at the rear of the **PURELAB Flex**.

Step 2 – Dismantle the Inlet Filter (Fig 1)

- UNSCREW the inlet filter.
- REMOVE the mesh filter
- CHECK mesh filter for signs of damage; REPLACE or CLEAN as necessary.

Step 3 – Reassemble the Inlet Filter

- INSERT the mesh filter into its original position ensuring that it is facing the correct direction (see diagram on previous page).
- RE-ASSEMBLE the Inlet Filter Assembly.

Step 4 – Turn Unit On

- TURN ON the water supply
- SWITCH ON the electrical supply.

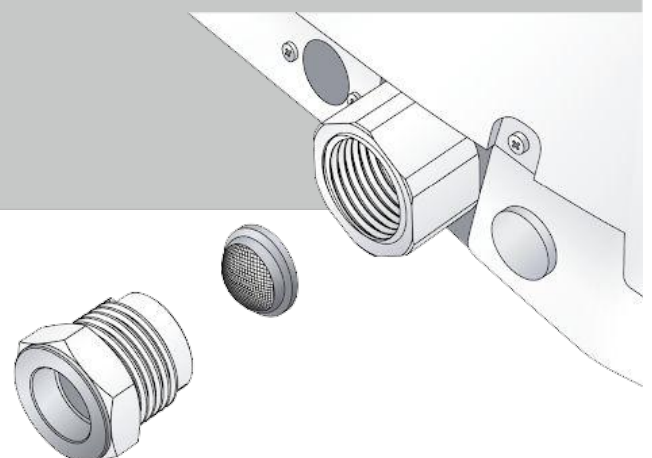


Fig 1

12.3 Replacing the Reverse Osmosis Module (LC309)

PURELAB flex 3 and 3+ is fitted with a Reverse Osmosis (RO) module. The RO Module may need replacing if the permeate water purity or flow rate is not adequate and does not meet predicted or previous performance. For information regarding the replacement of the LC309 RO Module contact Customer Support.

12.4 Replacing the Composite Vent and Point-of-Use Filters

Details of how to install/replace the Composite Vent Filter can be found in Section 5, page 9.
Details of how to install/replace the Point-Of-Use Filters are supplied with each filter.

13.1 FEEDWATER

Model	PURELAB flex 3 (Ultra Pure Water (Type I) directly from tap water)	PURELAB flex 3+ (Ultra Pure Water (Type I) directly from tap water)
SOURCE	Potable tap water as detailed below.	Potable tap water as detailed below.
Conductivity	< 2000µS/cm*	
Ionic Load	Recommended Total Equivalent Conductivity (TEC) <70µS/cm**	

13.2 CONTAMINANT

Hardness	<350 ppm as CaCO ₃	<350 ppm as CaCO ₃
Free Chlorine	<0.5 ppm CL ₂	<0.05 ppm CL ₂
Chloramine	<0.02 ppm CL ₂	<0.02 ppm CL ₂
Total Chlorine	<0.05 ppm CL ₂	<0.05 ppm CL ₂
Silica	<30 ppm SiO ₂	<<30 ppm SiO ₂
CO2 (Carbon Dioxide)	<30 ppm (Recommended <20 ppm)	
Fouling Index	<10	<10
Iron/Manganese	< 0.5 ppm Fe/Mn	< 0.5 ppm Fe/Mn
Organics (Total Organic Carbon)	Recommended <2 ppm TOC	Recommended <2 ppm TOC
Particulates	A 0.2 micron membrane pre filter is recommended for all non-RO feeds to extend point-of-use filter life.	
Temperature	4 - 40°C (Recommended 10 - 25°C)	
Flow Rate (maximum requirement at 15°C)	Up to 75 L/hr	Up to 75 L/hr
Drain Requirements	>90 L/hr	>90 L/hr

*Purification Pack life may be low with feedwaters >1400 µS/cm

**TEC (µS/cm) = Conductivity (µS/cm) + 2.3 X CO2 (ppm)

13.3 FEEDWATER PRESSURE

Minimum Inlet Pressure	2bar (30psi)
Maximum Inlet pressure	6bar (90psi)
Optimum Inlet Pressure	4bar (60psi)

13.4 CONNECTIONS

Point-Of-Use	1/4" BSP (Dispense Tip Removed)
Inlet	8mm (5/16) OD tube
Internal Reservoir Overflow	8mm (5/16) OD tube
Drain	8mm (5/16) OD tube
Internal Reservoir	8mm (5/16) OD tube

13.5 DIMENSIONS and WEIGHTS

Dimensions	Width 236mm, Depth 470mm, Height minimum 900mm, Height maximum 1020mm.	
Model	PURELAB flex 3 (Ultra Pure Water (Type I) Directly from tap water)	PURELAB flex 3+ (Ultra Pure Water (Type I) Directly from tap water)
Operational weight	23 kg (57.3 lb)	23 kg (57.3 lb)
Installation	Bench / Wall	

13.6 ELECTRICAL REQUIREMENTS

Mains input	100-240V ac, 50-60 Hz
System control voltage (not including pumps and UV)	24 V dc
Power consumption (peak demand)	100 VA

13.7 PRODUCT WATER SPECIFICATION

Model	PURELAB flex 3 (Ultra Pure Water (Type I) Directly from tap water)	PURELAB flex 3+ (Ultra Pure Water (Type I) Directly from tap water)
Volume of Ultra Pure (Type 1) Water used per working day.	Up to 10 L/day	
Ultra Pure delivery flow rate from Dispense Handset	Up to 2 L/min	
Inorganics (Resistivity @25°C)	18.2MΩ-cm	
Organics (TOC) – typically	<5ppb*	
Bacteria – Typical	<0.001 CFU/ml (when fitted with POU filter)	
Endotoxin	<0.001 EU/ml (when fitted with Biofilter)	
DNase	<5 pg/ml	
RNase	<1 ng/ml	
Particles	0.2µm filtration (when fitted with POU filter)	
pH	Effectively neutral	
Reverse Osmosis (Type III) Make-up flow rate	Up to 20 L/hr	

*Dependent on feed water

As part of our policy of continual improvement we reserve the right to alter the specifications given in this document.

14.1 General Limited Warranty

VWS (UK) Ltd warrants the products manufactured by it against defects in materials and workmanship when used in accordance with applicable instructions for a period of one year from the date of shipment for the products. **VWS (UK) LTD MAKES NO OTHER WARRANTY, EXPRESSED OR IMPLIED. THERE**

IS NO WARRANTY OF MERCHANTABILITY OR FITNESS FOR A PARTICULAR PURPOSE. The warranty provided herein and the data, specifications and descriptions of the VWS (UK) Ltd products appearing in VWS (UK) Ltd's published catalogues and product literature may not be altered except by express written agreement signed by an officer of VWS (UK) Ltd. Representations, oral or written, which are inconsistent with this warranty or such publications are not authorized and, if given, should not be relied upon.

In the event of a breach of the foregoing warranty, VWS (UK) Ltd sole obligation shall be to repair or replace, at its option, any product or part thereof that proves to be defective in materials or workmanship within the warranty period, provided the customer notifies VWS (UK) Ltd promptly of any such defect. The exclusive remedy provided herein shall not be deemed to have failed of its essential purpose so long as VWS (UK) Ltd is willing and able to repair or replace any nonconforming VWS (UK) Ltd product or part. VWS (UK) Ltd shall not be liable for consequential, incidental, special or any other indirect damages resulting from economic loss or property damage sustained by any customer from the use of its products.

14.2 Water System Limited Warranty

VWS (UK) Ltd warrants the water systems manufactured by it, **BUT EXCLUDING MEMBRANES AND PURIFICATION PACKS**, against defects in materials and workmanship when used in accordance with the applicable instructions and within the operating conditions specified for the systems for a period of one year from the earlier of:

- a) the date of installation, or
- b) the 120th day following the date of shipment.

VWS (UK) LTD MAKES NO OTHER WARRANTY, EXPRESSED OR IMPLIED. THERE IS NO WARRANTY OF MERCHANTABILITY OR FITNESS FOR A PARTICULAR PURPOSE. The warranty provided herein and the data, specifications and descriptions of the VWS (UK) Ltd systems appearing in VWS (UK) Ltd published catalogues and product literature may not be altered except by express written agreement signed by an officer of VWS (UK) Ltd. Representations, oral or written, which are inconsistent with this warranty or such publications are not authorised and, if given, should not be relied upon. In the event of a breach of the foregoing warranty, VWS (UK) Ltd sole obligation shall be to repair or replace, at its option, any product or part thereof that proves to be defective in materials or workmanship within the warranty period, provided the customer notifies VWS (UK) Ltd promptly of any such defect. The cost of labour for the first ninety (90) days of the above warranty period is included in the warranty; thereafter, labour cost shall be at the customer's expense. The exclusive remedy provided herein shall not be deemed to have failed of its essential purpose so long as VWS (UK) Ltd is willing and able to repair or replace any nonconforming VWS (UK) Ltd system or component part. VWS (UK) Ltd shall not be liable for consequential, incidental, special or any other indirect damages resulting from economic loss or property damage sustained by any customer from the use of its process systems.

Products or components manufactured by companies other than VWS (UK) Ltd or its affiliates ("Non-VWS (UK) Ltd products") are covered by the warranty, if any, extended by the Product manufacturer.

VWS (UK) Ltd hereby assigns to the purchaser any such warranty; however, VWS (UK) LTD EXPRESSLY DISCLAIMS ANY WARRANTY WHETHER EXPRESSED OR IMPLIED, THAT THE NON - VWS (UK) LTD PRODUCTS ARE MERCHANTABLE OR FIT FOR A PARTICULAR PURPOSE.

NOTICE

VWS (UK) Ltd is constantly striving to improve its products and services. Consequently, the information in this document is subject to change without notice and should not be construed as a commitment by VWS (UK) Ltd. Also, VWS (UK) Ltd assumes no responsibility for any errors that may appear in this document. This manual is believed to be complete and accurate at the time of publication. In no event shall VWS (UK) Ltd be liable for incidental or consequential damages in connection with or arising from the use of this manual.

VWS (UK) Ltd. warrants its products against defects in materials and workmanship as described in the Warranty statement on the preceding pages.

15. USEFUL CONTACTS

ELGA LabWater
Lane End Business Park,
Lane End, High Wycombe
HP14 3BY
UK

Tel: +44 (0) 203 567 7300

Fax: +44 (0) 203 567 7305

E-mail: info@elgalabwater.com

For any technical queries please contact techsupport@elgalabwater.com

For the address of the nearest ELGA LabWater Sales and Service office visit the country list on our website.

<http://www.elgalabwater.com>

Or contact ELGA LabWater at the number above.

The Labwater Specialists

This product is produced by ELGA Veolia® for ELGA Veolia®, a global laboratory water brand name of Veolia Water.
The information contained in this document is the property of VWS (UK) LTD and is supplied without liability for errors or omissions.
No part of this document may be reproduced or used except as authorised by contract or other written permissions from VWS (UK) LTD

© VWS (UK) LTD 2024 MANU41742 VERSION 1

